

The New JVC DLA-X70R

3D Enabled 3-Chip Full HD D-ILA Front Projector

Procision

4K

PRECISION



DLA-X70R Key Features

The DLA-X70R delivers stunning picture detail thanks to JVC's new e-Shift technology that displays 2D HD content with full 4K precision. A 3D-enabled Full HD D-ILA projector, the DLA-X70R uses three 1920 x 1080 D-ILA devices and provides a native contrast ratio of 80,000:1 for peak whites and deep blacks. Also offered is on-screen gamma control to fine-tune the image and a range of adjustments to tailor set up to virtually any room.

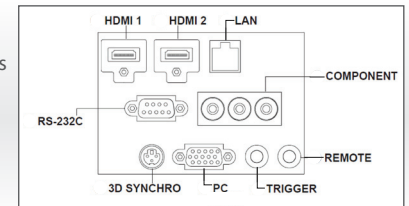
Specifications

- :: NEW - e-Shift system displays images in 4k precision for on screen resolution of 3840x2160*
- :: NEW - Exclusive algorithm converts 1920x1080 sources to 4k*
- :: NEW - Exceptional Native Contrast Ratio - 80,000:1
- :: NEW - 2D-3D Conversion
- :: NEW - 3D Anamorphic Capable
- :: NEW - 3D Crosstalk Elimination
- :: 3D Enabled with 3-chip 0.7-inch 1920x1080 D-ILA devices
- :: NEW - Supports Frame Sequential 3D, Side-by-Side 3D and Top-Bottom 3D methods
- :: NEW - Lens Memory with 3 user adjustable presets
- :: Exclusive Real Color Imaging Technology with Xenon Lamp Color Presets
- :: 7-Axis Color Management System (R,G,B,C,M,Y and Orange)
- :: Fan Noise: 20db
- :: 24p capable 120Hz Clear Motion Drive
- :: 4th Generation Optical Engine w/Improved Wire Grid Polarizer
- :: Customized Gamma Control On-screen
- :: Wide Lens Shift Functionality (V: 80%, H: 34%)
- :: 2x Motorized Zoom Lens (1.4:1 – 2.8:1)
- :: NEW - 3D Parallax Adjustment
- :: Optional Active Shutter Glasses (PK-AG2BP)
- :: Optional 3D Emitter (PK-EM1)
- :: 2 Year Warranty

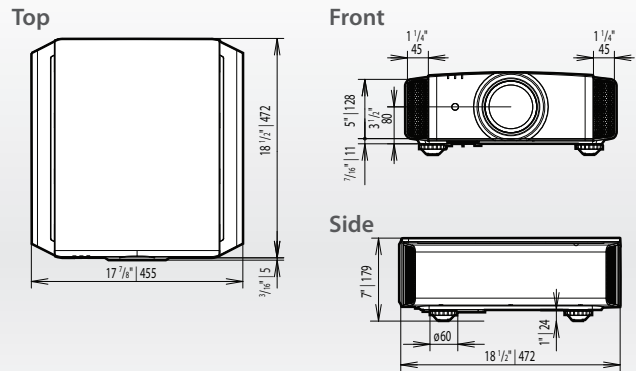
*4k precision (3840x2160 on screen resolution) does not work when 3D or Clear Motion Drive are engaged

Inputs & Outputs

- :: Dual HDMI 1.4a Digital Inputs
- :: HD Component Video Input
- :: LAN Connection
- :: RS-232C
- :: 12-Volt Trigger
- :: D-sub 15-pin PC Input



Weights & Measurements



Weight: 33.14 lbs. / 15.3 kg.

Notes:

- Specifications are subject to change without notice.
- HDMI, the HDMI Logo, and High-Definition Multimedia Interface are trademarks or registered trademarks of HDMI Licensing LLC in the United States and other countries.