

**50"** Class  
Smart | 120Hz  
1080p E-LED HDTV

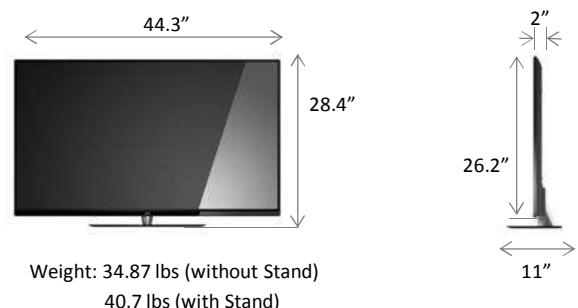


### Key Features:

- Ultra thin & narrow bezel design
- Edge LED backlit & Full HD 1080p
- 120Hz CrystalMotion™
- CrystalColor™ Enhancement
- 20M:1 Dynamic Contrast Ratio
- Local Dimming
- Internet Connected Experience (I.C.E.™) with preloaded and downloadable ICE apps™
- WiFi 802.11n built-in
- XinemaSound™ 3D acoustic and post processing technologies
- Support Dolby Digital Decode
- USB ports support pictures, music and video playback
- QWERTY keypad remote

### Input/Output & Measurements

- 3 HDMI inputs
- 1 Antenna input
- 1 Component /Composite input
- 1 Music Port (shared with Component Audio Input)
- 1 USB inputs
- 1 Digital Audio Optical output
- 1 Stereo Audio output (headphone jack)





BLACKSapphire

SP50M-C  
BlackSapphire™ series HDTV

www.jvc.com

| Model Name                           | SP50M-C                                 | SP55M-C                                 |                                    |
|--------------------------------------|---|---|------------------------------------|
| <b>Display Specification</b>         |   |   |                                    |
| Size Class (Diagonal)                | 50" (50.5" diagonal)                    | 55" (54.6" diagonal)                    |                                    |
| Resolution/Aspect                    | 1920 x 1080 / 16:9                      | 1920 x 1080 / 16:9                      |                                    |
| Backlit                              | Edge LED                                | Edge LED                                |                                    |
| Frame Rate                           | 120Hz CrystalMotion™                    | 120Hz CrystalMotion™                    |                                    |
| Contrast Ratio                       | 20M:1 (Dynamic)                         | 20M:1 (Dynamic)                         |                                    |
| Viewing Angle                        | 178/178                                 | 178/178                                 |                                    |
| Display Color                        | 16.7M                                   | 1.06B                                   |                                    |
| <b>Internet</b>                      |   |   |                                    |
| Internet Capability                  | Yes, I.C.E.™ platform                   | Yes, I.C.E.™ platform                   |                                    |
| Wired Connectivity                   | Ethernet 10/100 Base-TX port            | Ethernet 10/100 Base-TX port            |                                    |
| Wireless Connectivity                | Built-in, WiFi 802.11n single band      | Built-in, WiFi 802.11n single band      |                                    |
| Preloaded Internet Apps              | Netflix, Vudu, Pandora                  | Netflix, Vudu, Pandora                  |                                    |
| <b>TV Features</b>                   |   |   |                                    |
| Color Enhancement                    | Yes, CrystalColor™                      | Yes, CrystalColor™                      |                                    |
| Built-in NTSC/ ATSC/ Clear QAM tuner | Yes                                     | Yes                                     |                                    |
| Close Caption                        | Yes                                     | Yes                                     |                                    |
| Parental Control                     | Yes, V-Chip 2.0                         | Yes, V-Chip 2.0                         |                                    |
| Local Dimming                        | Yes                                     | Yes                                     |                                    |
| <b>Audio</b>                         |   |   |                                    |
| Audio Technology                     | XinemaSound™ 3D<br>Dolby Digital Decode | XinemaSound™ 3D<br>Dolby Digital Decode |                                    |
| MTS Decode                           | Yes                                     | Yes                                     |                                    |
| Graphic Equalizer                    | Yes                                     | Yes                                     |                                    |
| Speaker Output Power                 | 20W (10Wx2)                             | 30W (15Wx2)                             |                                    |
| <b>Convenience Features</b>          |   |   |                                    |
| Interactive Setup Guide              | Yes                                     | Yes                                     |                                    |
| Input Port Naming                    | Yes                                     | Yes                                     |                                    |
| Audio Only Mode                      | Yes                                     | Yes                                     |                                    |
| HDMI-ARC                             | Yes, HDMI – 1                           | Yes, HDMI - 1                           |                                    |
| HDMI-CEC                             | Yes                                     | Yes                                     |                                    |
| USB Multimedia                       | Picture, Music, Video                   | Picture, Music, Video                   |                                    |
| Remote                               | IR with QWERTY Keypad                   | IR with QWERTY Keypad                   |                                    |
| <b>Energy Saving Features</b>        |   |   |                                    |
| Auto Power Off (DPMS)                | Yes                                     | Yes                                     |                                    |
| Energy Star                          | Yes                                     | Yes                                     |                                    |
| <b>Input / Output</b>                |   |   |                                    |
| <b>Input</b>                         | Antenna in                              | 1                                       | 1                                  |
|                                      | HDMI                                    | 3                                       | 3                                  |
|                                      | Component / Composite (RCA)             | 1 (shared)                              | 1 (shared)                         |
|                                      | Music port                              | 1 (shared with Component Audio In)      | 1 (shared with Component Audio In) |
|                                      | USB                                     | 1                                       | 1                                  |
| <b>Output</b>                        | Optical Digital Audio Out               | 1                                       | 1                                  |
|                                      | Stereo Audio Out                        | 1 (headphone)                           | 1 (headphone)                      |
| <b>Mechanical</b>                    |   |   |                                    |
| Wall Mount Pattern                   | VESA (400x400mm), M8 screws             | VESA (400x400mm), M8 screws             |                                    |
| UPC Code                             | 816992010305                            | 816992010312                            |                                    |

Specification is subject to change without notice

CrystalMotion™ is a set of motion enhancement technologies including Motion-Estimation/Motion-Compensation or Backlight Scanning or both

Sales Contact: [jvctv.sales@amtranvideo.com](mailto:jvctv.sales@amtranvideo.com) | 1 (855) 868 1926

Version: 1.5

This product is manufactured, distributed, serviced and warranted by AmTRAN Video Corporation under brand license by JVC KENWOOD Corporation